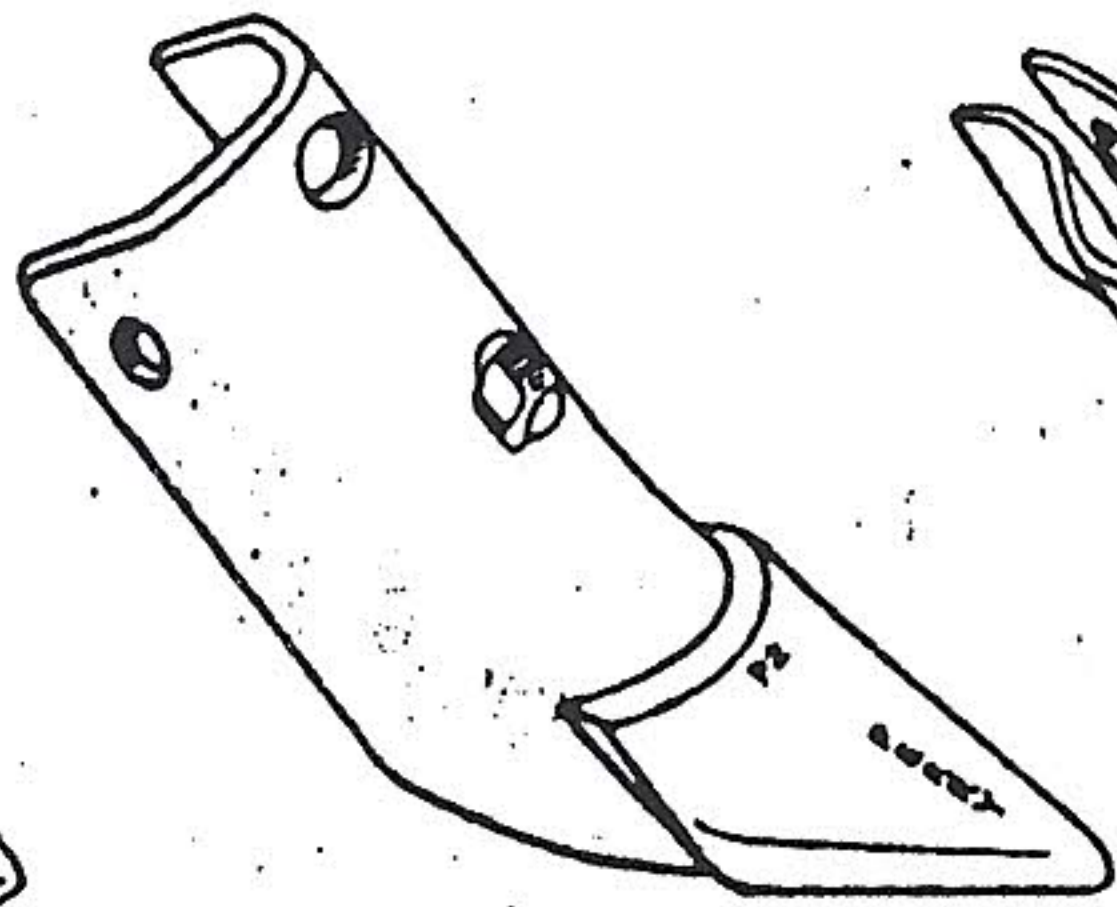


# SAVE \$\$\$

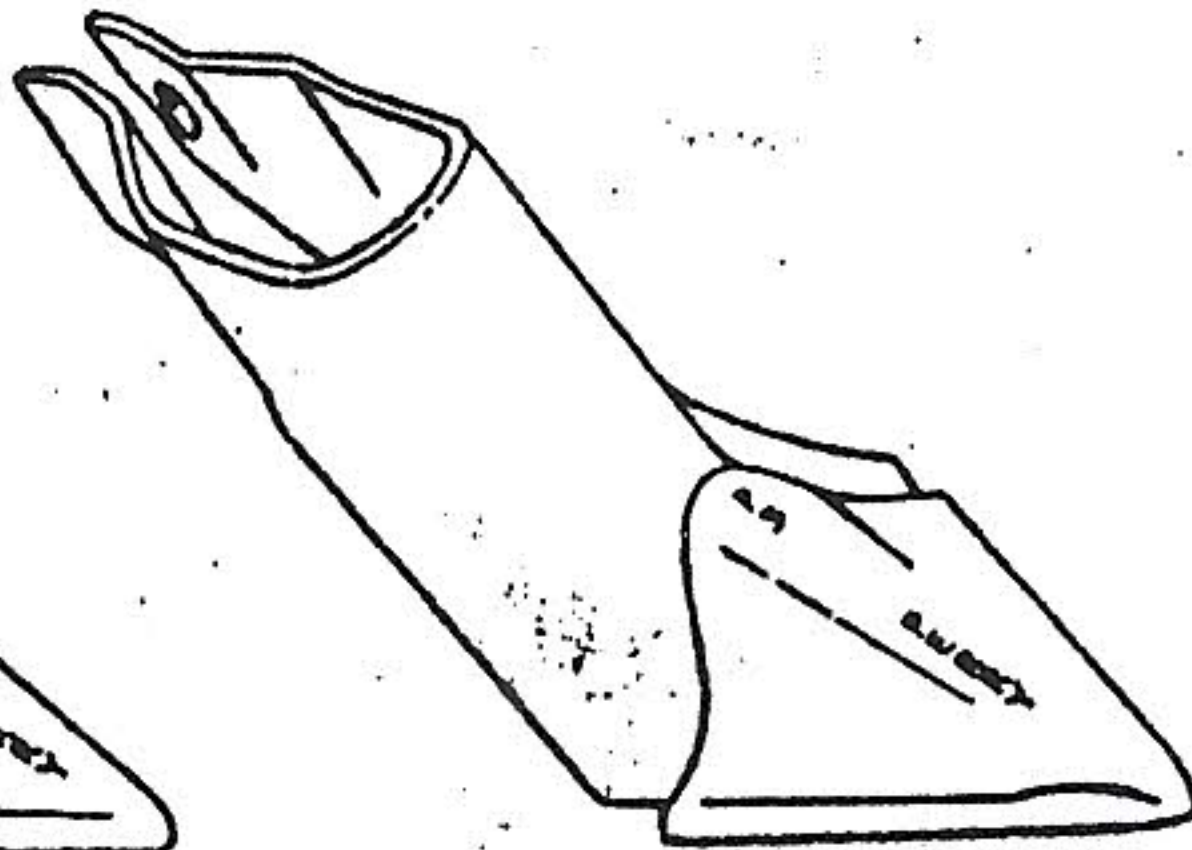
## Chrome-Alloy Points for Extended Wear



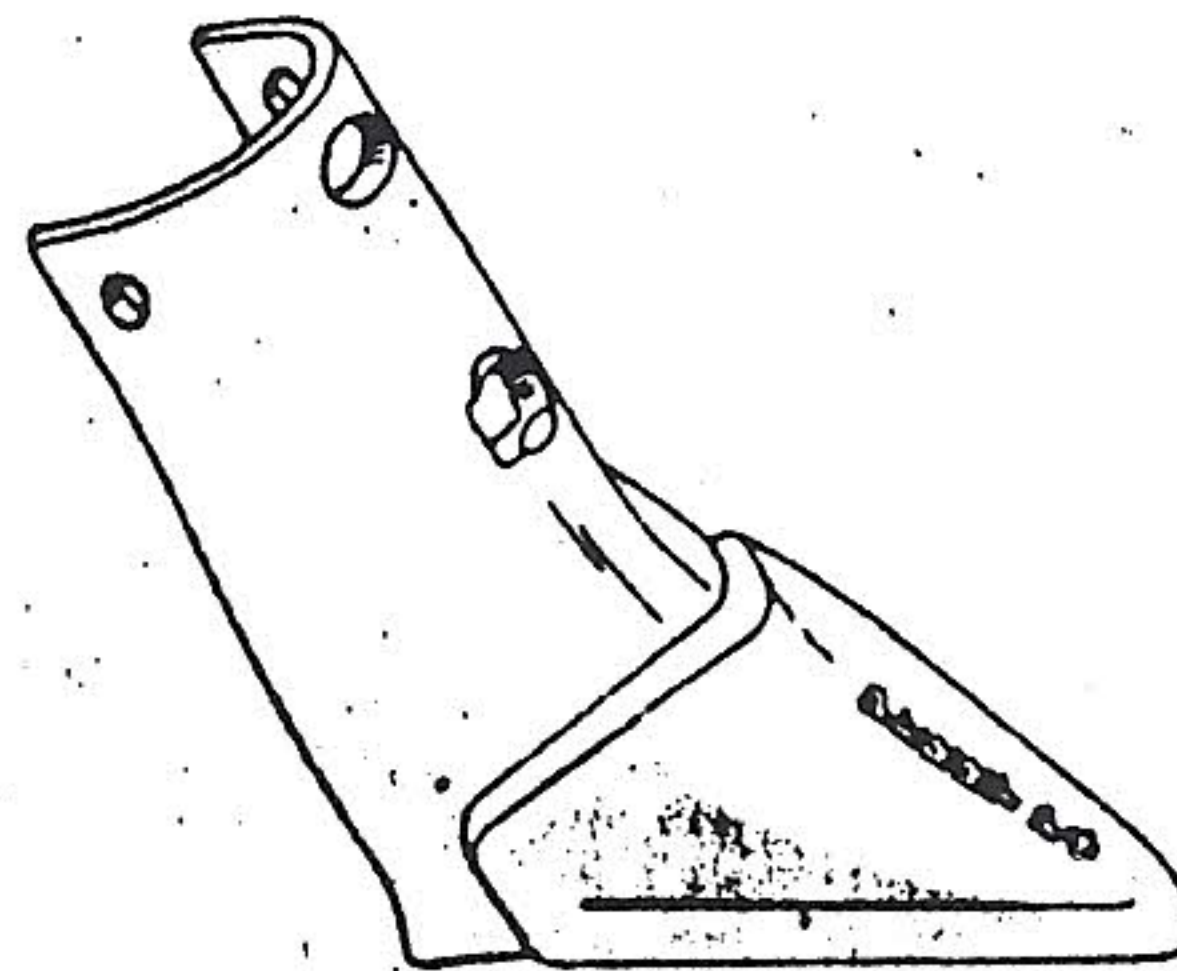
**Part No. P1**  
will fit 1" shoes



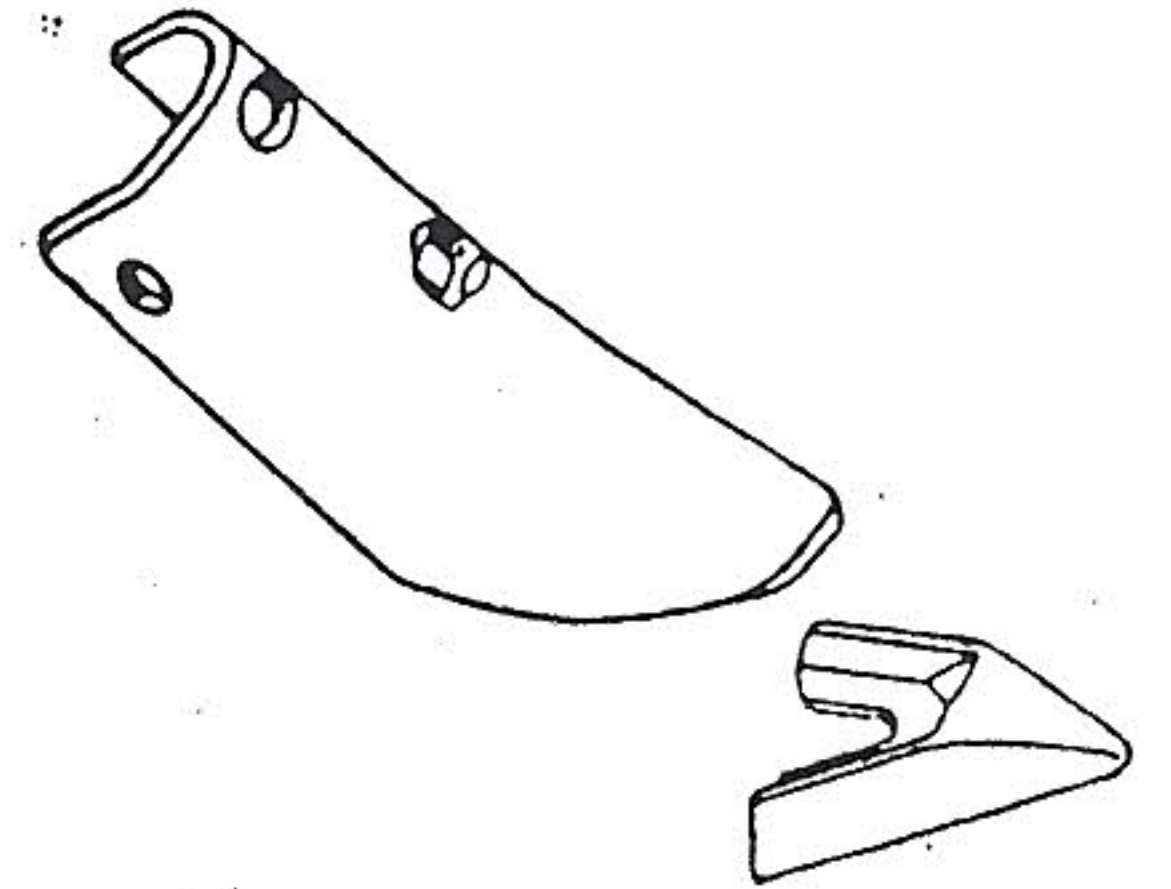
**Part No. P2**  
will fit 2" shoes



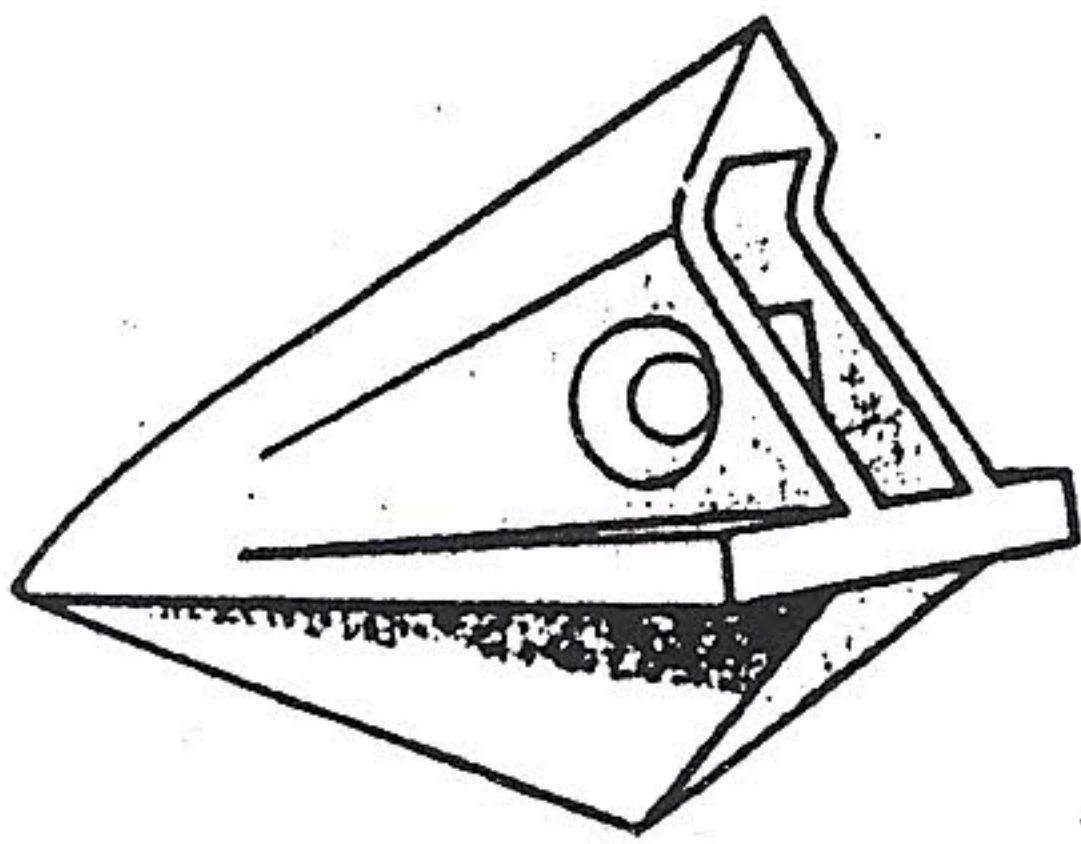
**Part No. P3**  
will fit 3" thru 5" shoes



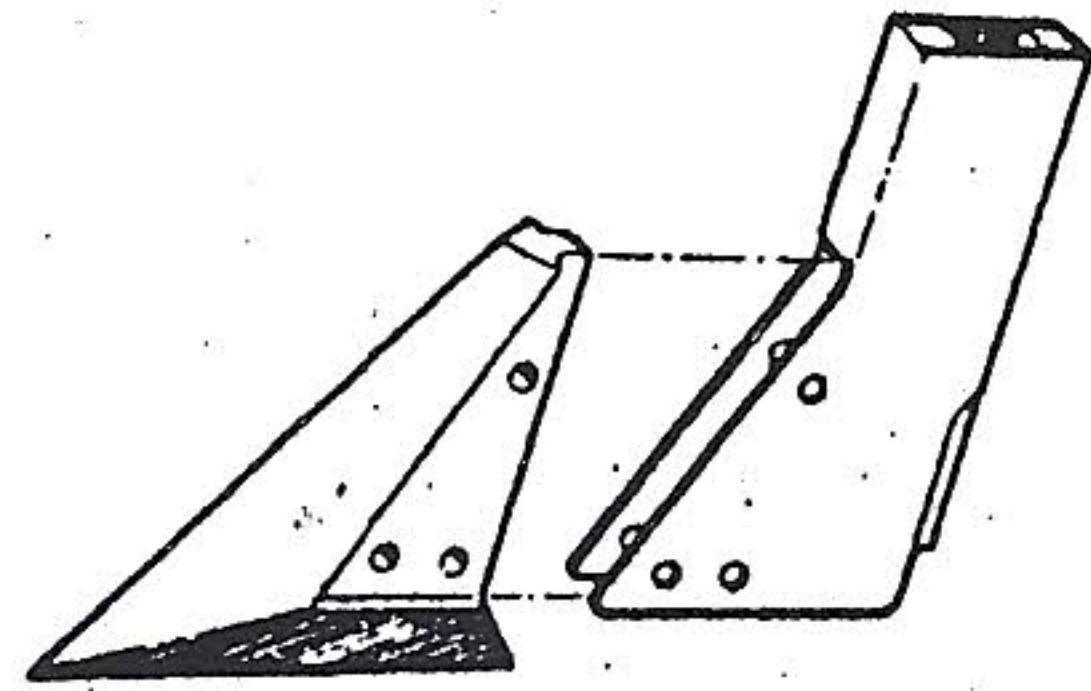
**Part No. P4**  
will fit 4" shoes



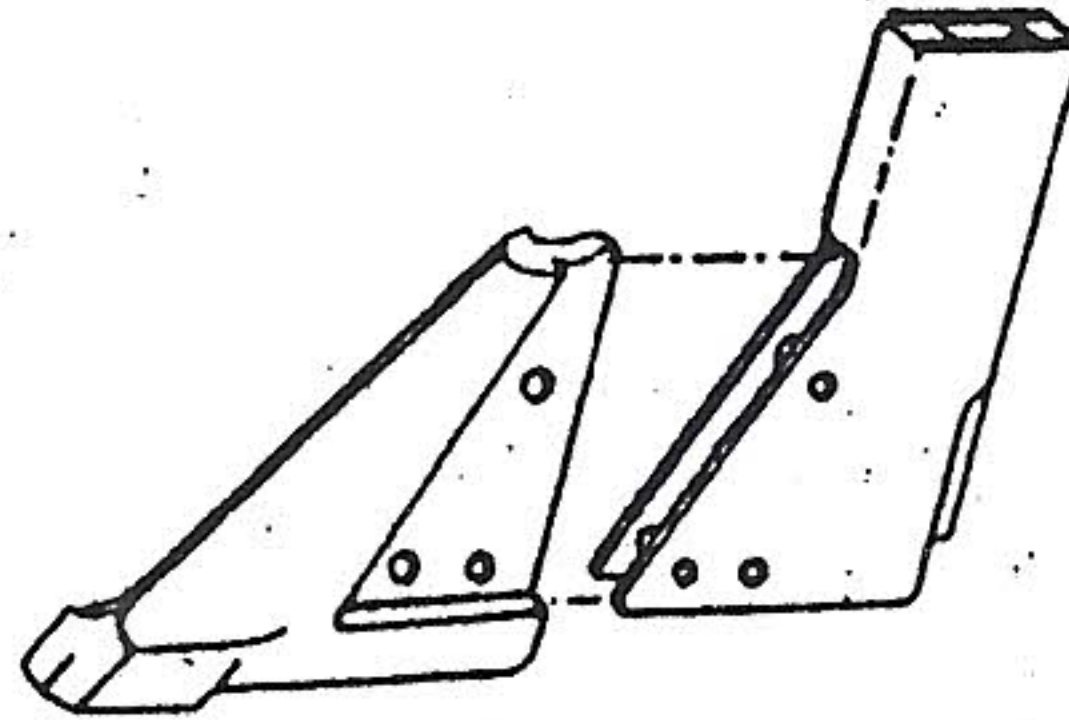
**Part No. 2009**  
will fit 2" used shoe



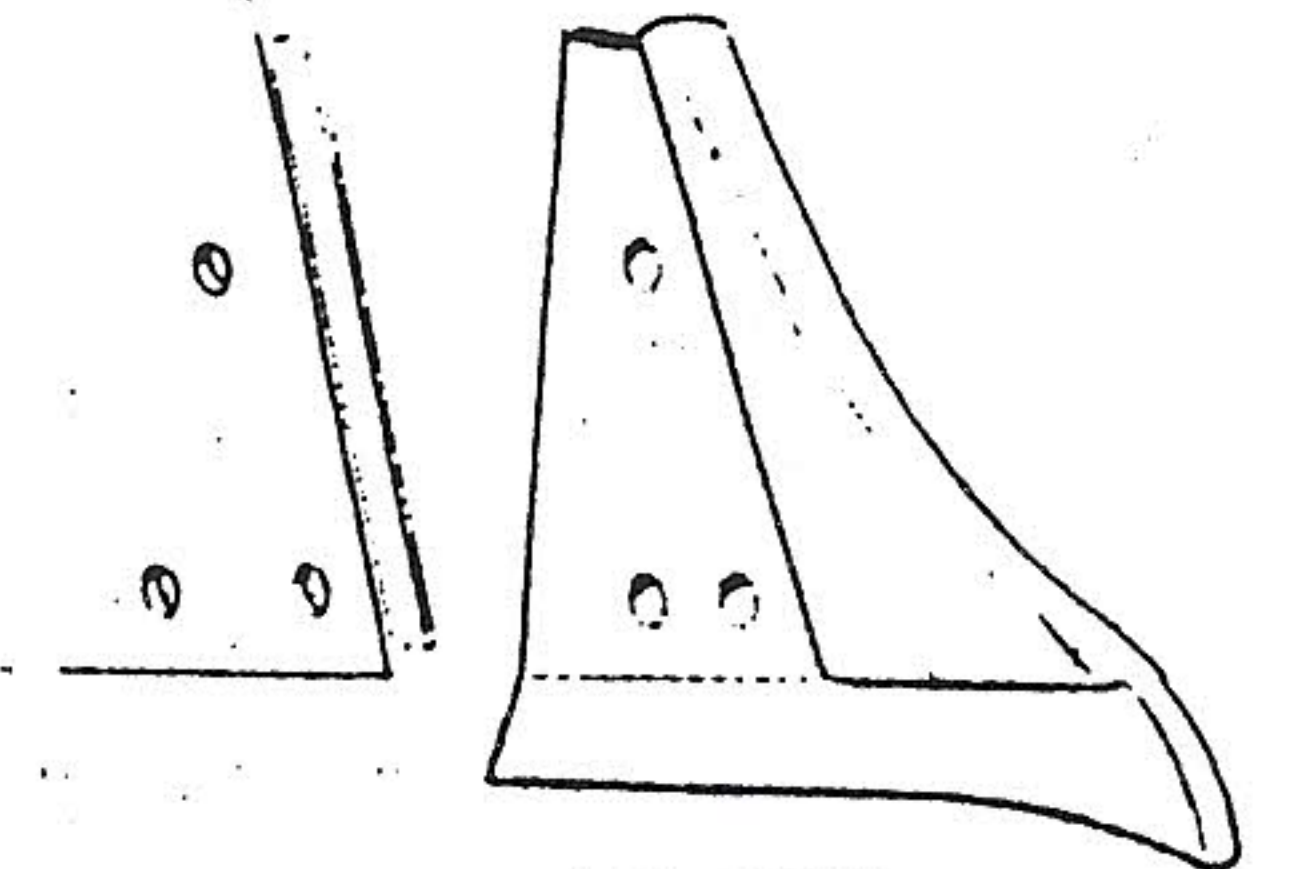
**Part No. 2010**  
accurate plant



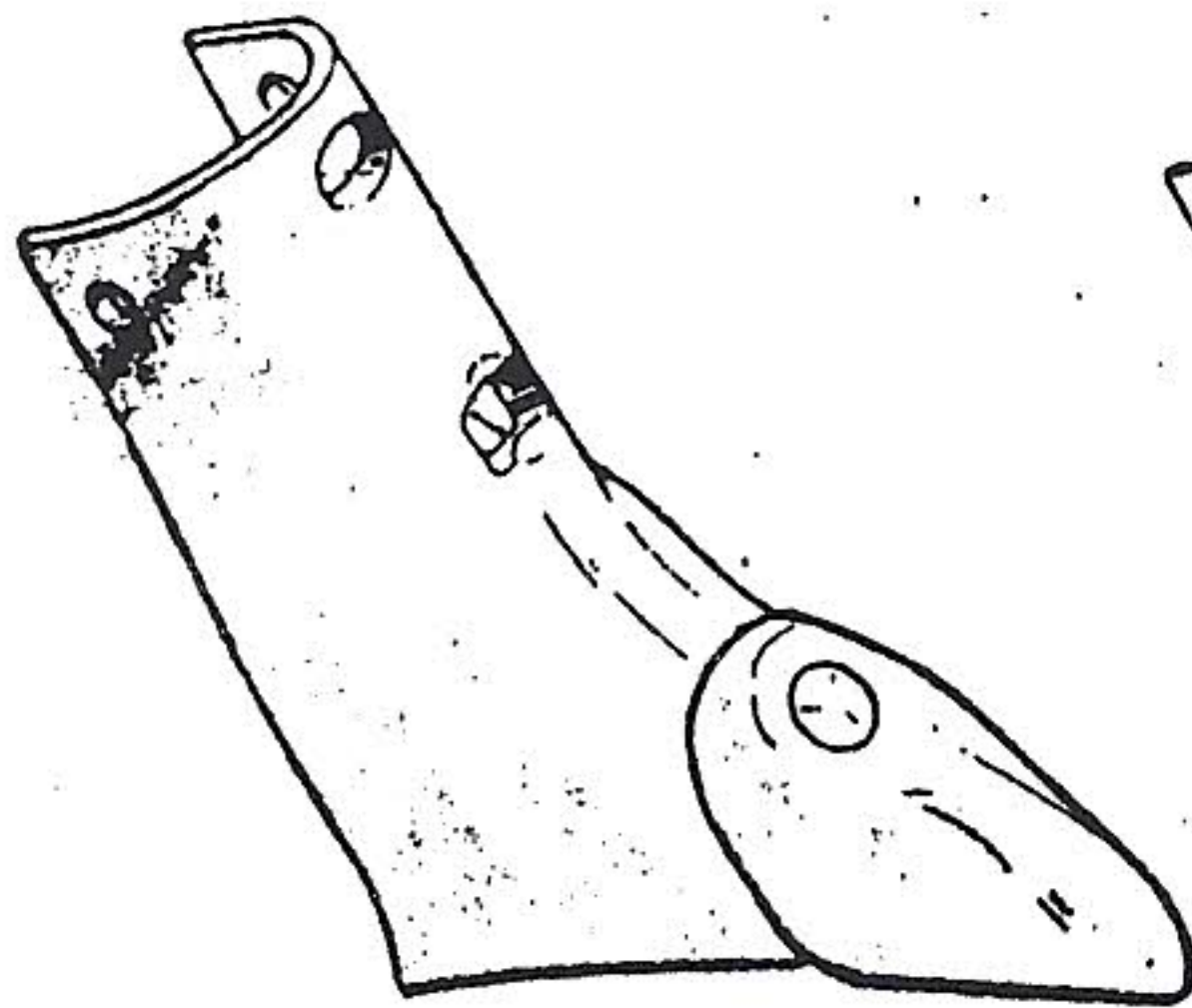
**Part No. 2008**  
hoe drill point



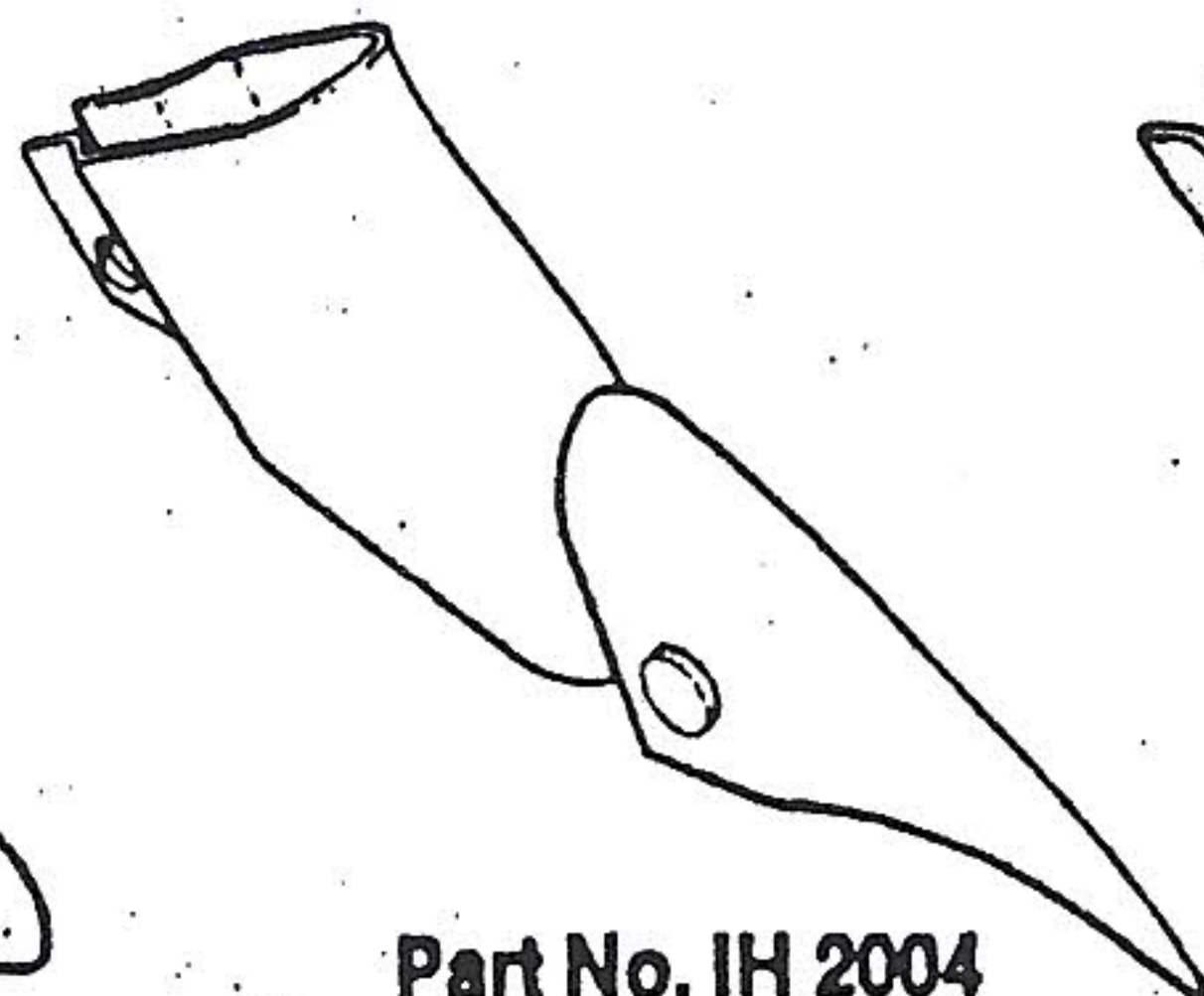
**Part No. 2011**  
hoe drill point



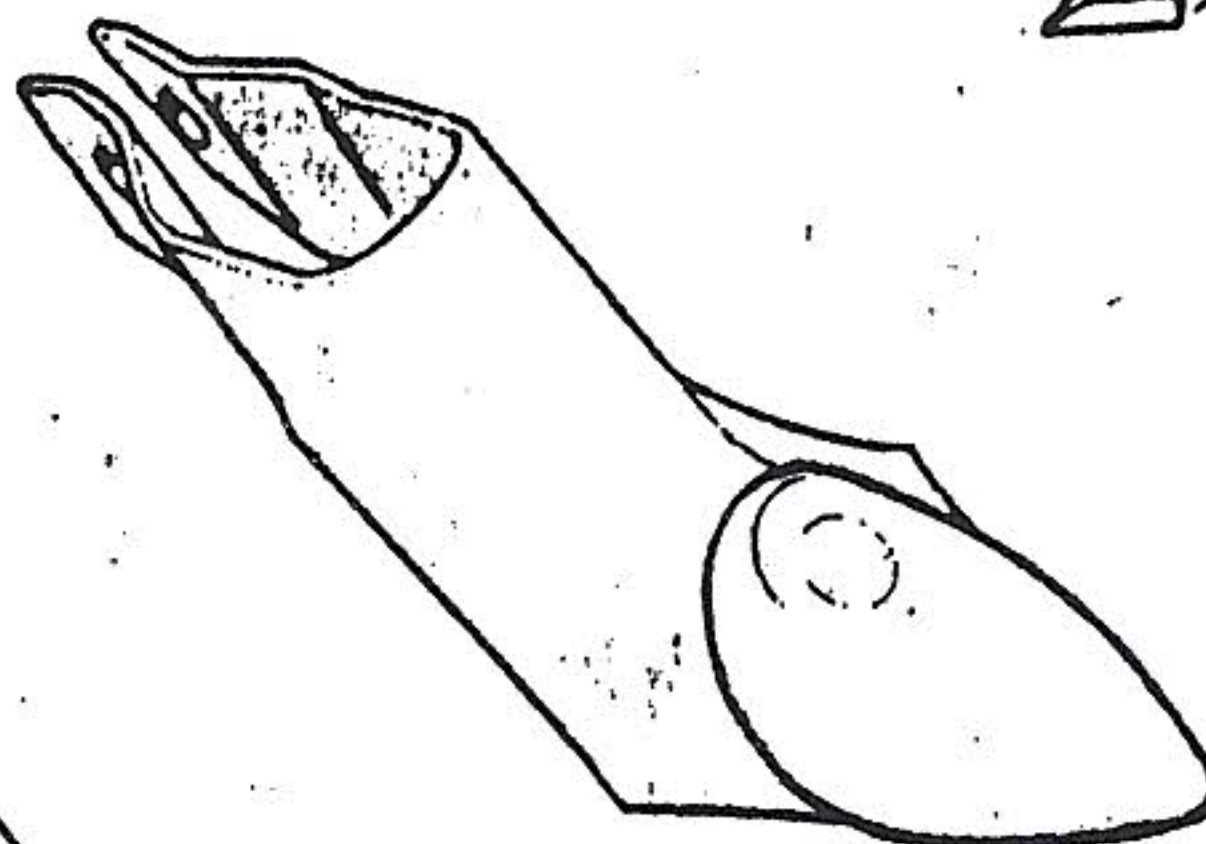
**Part No. J.D. 2001**  
split packer point



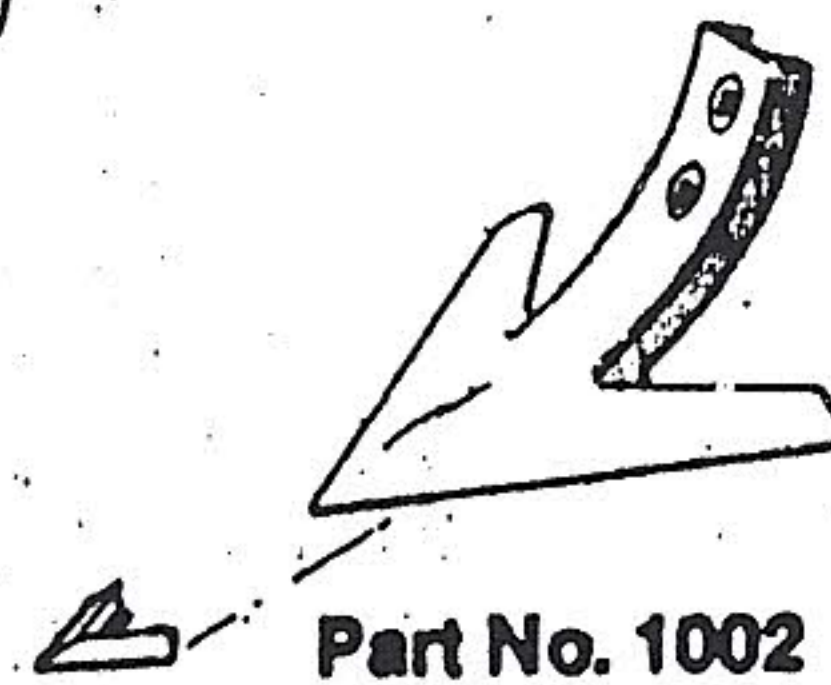
**Part No. JD 2003**  
shoe point will fit 4" and 6" shoes



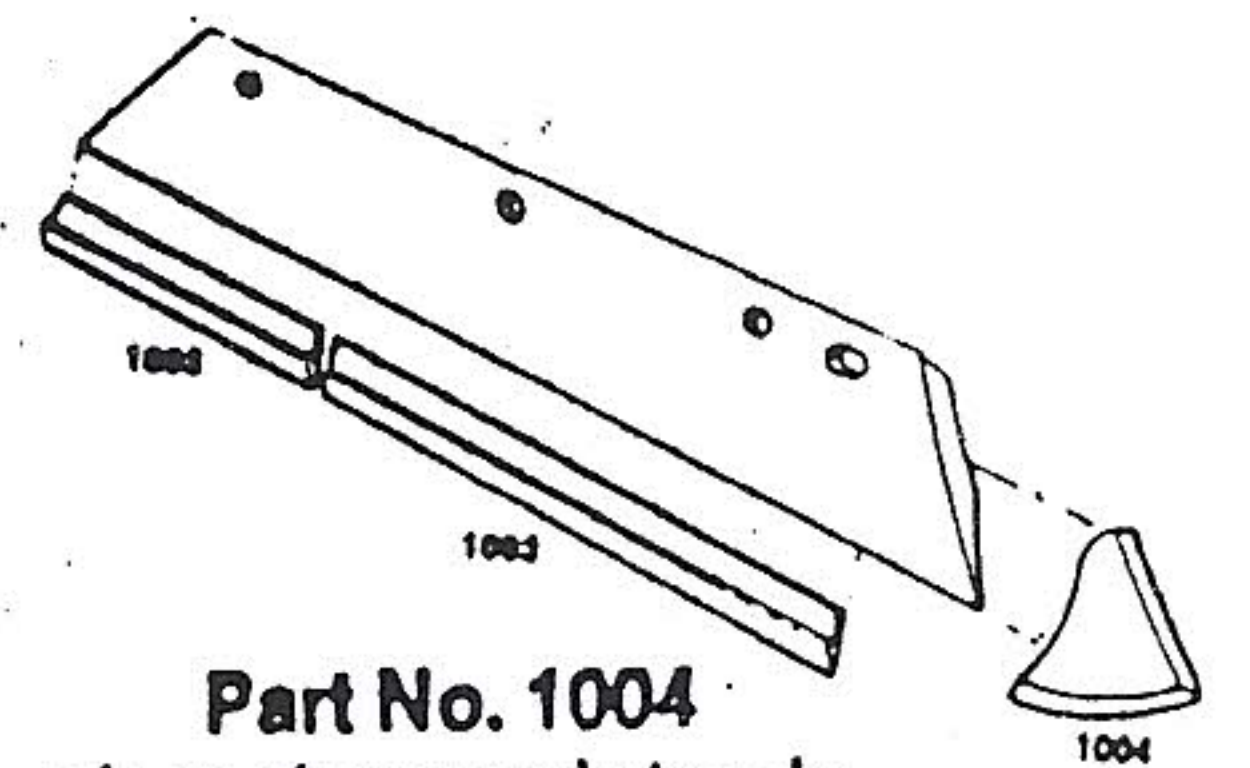
**Part No. IH 2004**  
eagle beak



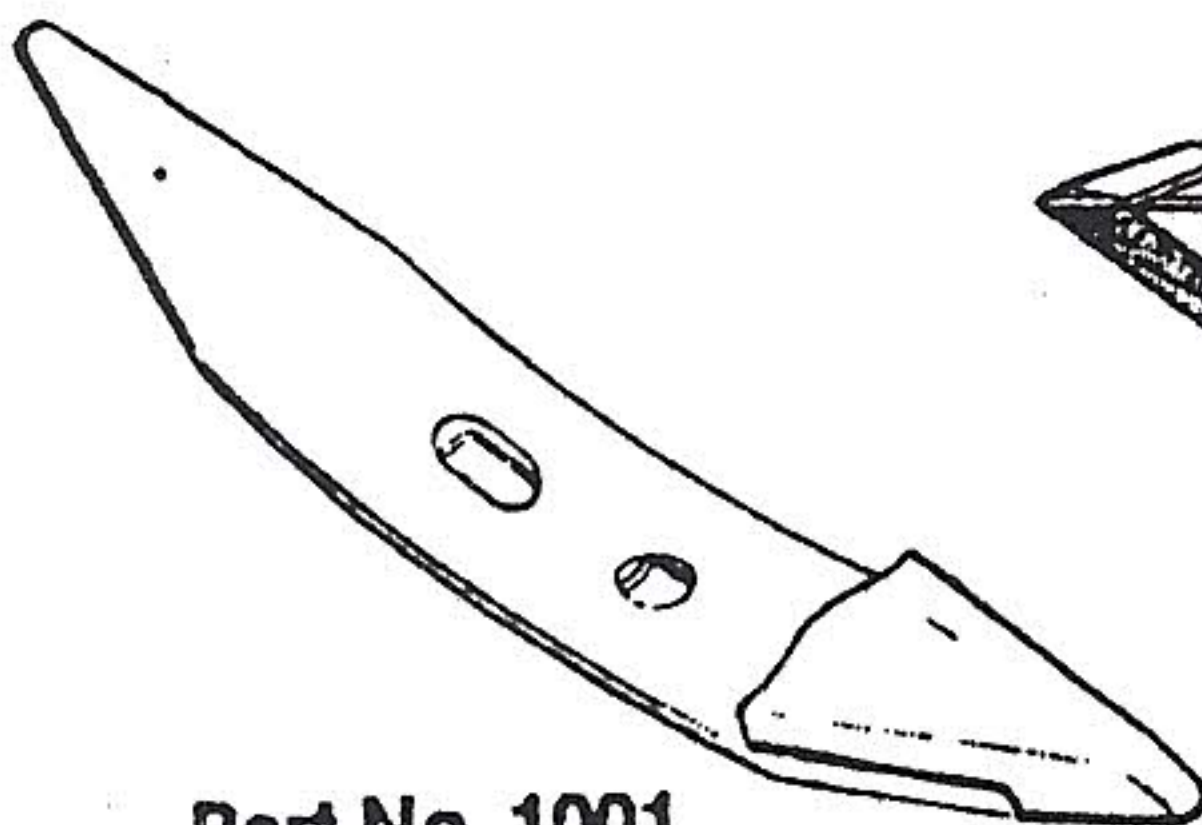
**Part No. IH 2005**  
shovel point will fit 3" thru 5" shoes



**Part No. 1002**



**Part No. 1004**  
plow shear point only  
plow shear kits  
(Inc. 1004 point & 1003 wear bar cut to length)  
Part No. 1004-16 ..... 16" plow shear  
Part No. 1004-18 ..... 18" plow shear  
will fit new or used



**Part No. 1001**  
spike end cultivator  
will fit new or used



**Part No. 1002**  
double end diamond



**Part No. 1005**  
chisel 2" wide, will fit any style 3/8" to 1/4" thick  
will fit new or used



**Part No. 1008**  
twisted 3" chisel point  
will fit any style 3/8" to 1/2" thick  
will fit new or used

**Part No. JD 2002**  
spear point

## PERRY POINTS

### Hard Surfacing Points

**Call Anytime — Early, Late, Weekends**

*Order early for prompt delivery!*

509-928-1872 (SPOKANE, WA AREA)

*Many of these points  
will adapt to other shovels  
both new and used*

AG