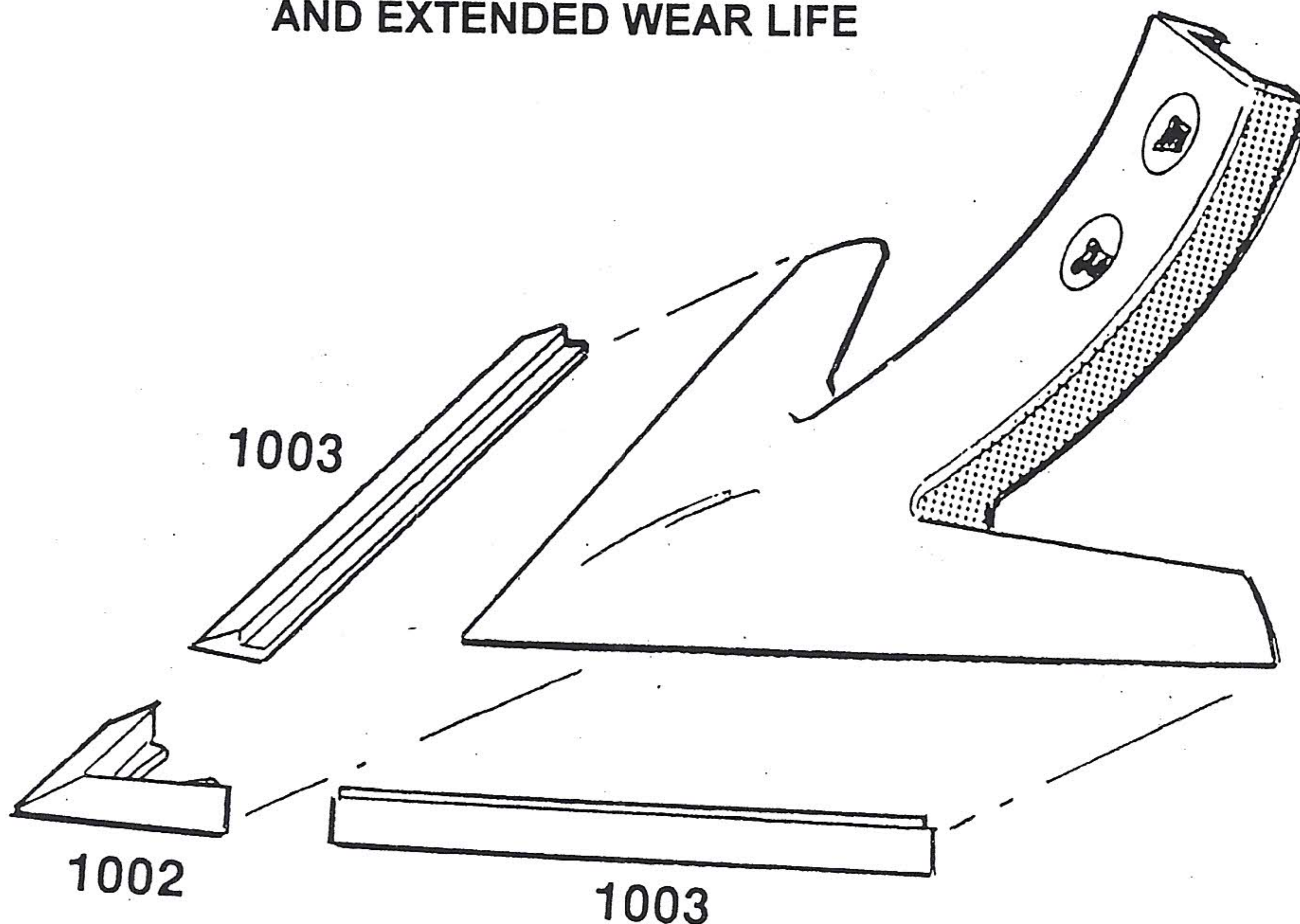


# SWEEP INSERTS

FOR COMPLETE SWEEP PROTECTION  
AND EXTENDED WEAR LIFE



1002  
1003  
1018  
1769

T  
I  
L  
L  
A  
G  
E  
  
T  
O  
O  
L  
  
I  
N  
S  
E  
R  
T  
S

This chromium-alloy wear edge will extend the life of your sweep by 5 to 6 times longer.

Sweep inserts are sold by the set, including point and wear edge cut to length.

Part No.	Sweep Size	Part No.	Sweep Size
1104	4"	1114	14"
1106	6"	1116	16"
1107	7"	1118	18"
1109	9"	1120	20"
1110	10"	1122	22"
1112	12"	1124	24"

LIGHT DUTY -1002

1003 - STRAIGHT WEAR EDGE

HEAVY DUTY - 1018

1769 - ULTRA SWEEP EDGE

ULTRA SWEEP - 1768

FLAT BAR 1 3/4" X 6"